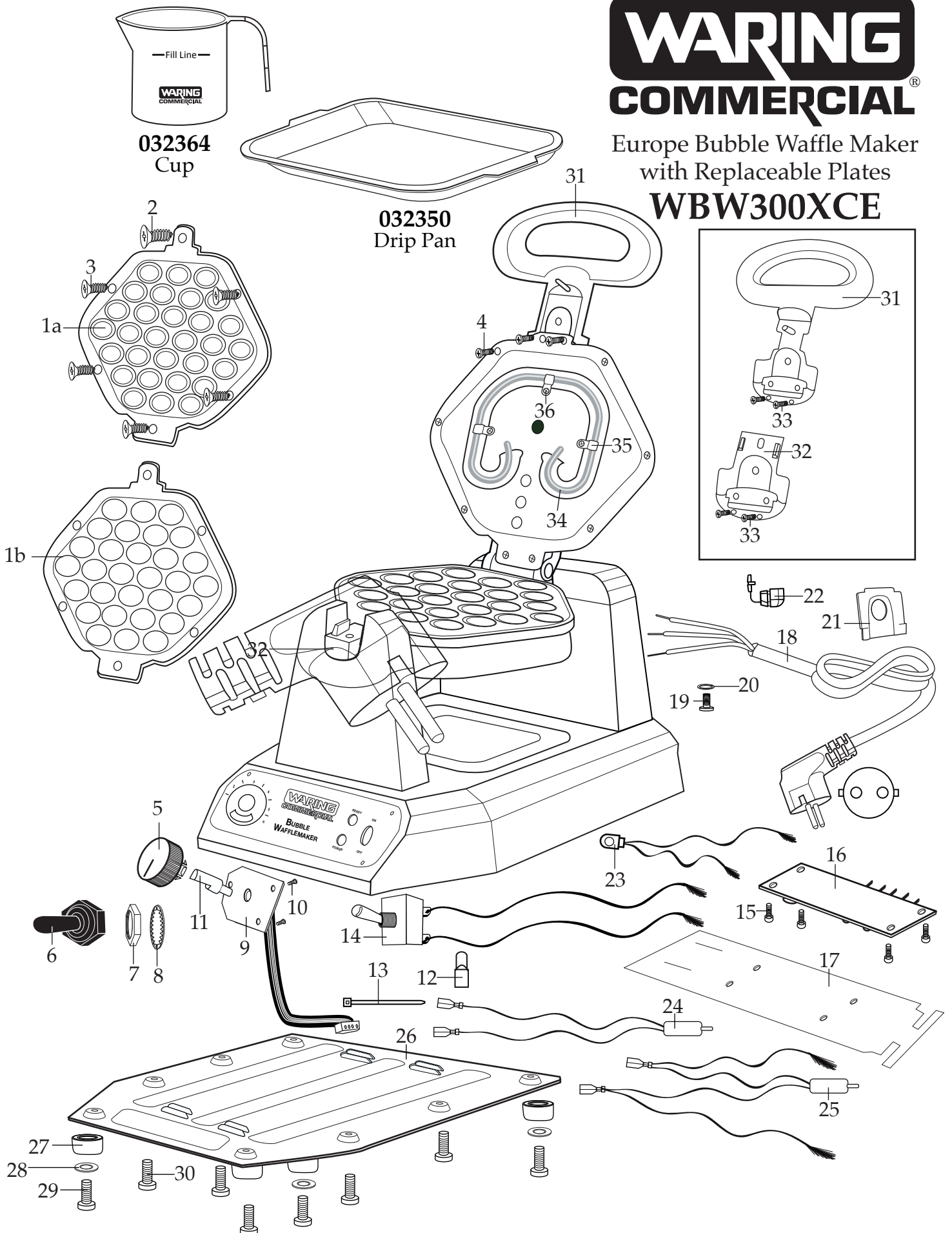


WARING COMMERCIAL®

Europe Bubble Waffle Maker with Replaceable Plates WBW300XCE



Catalog/Model

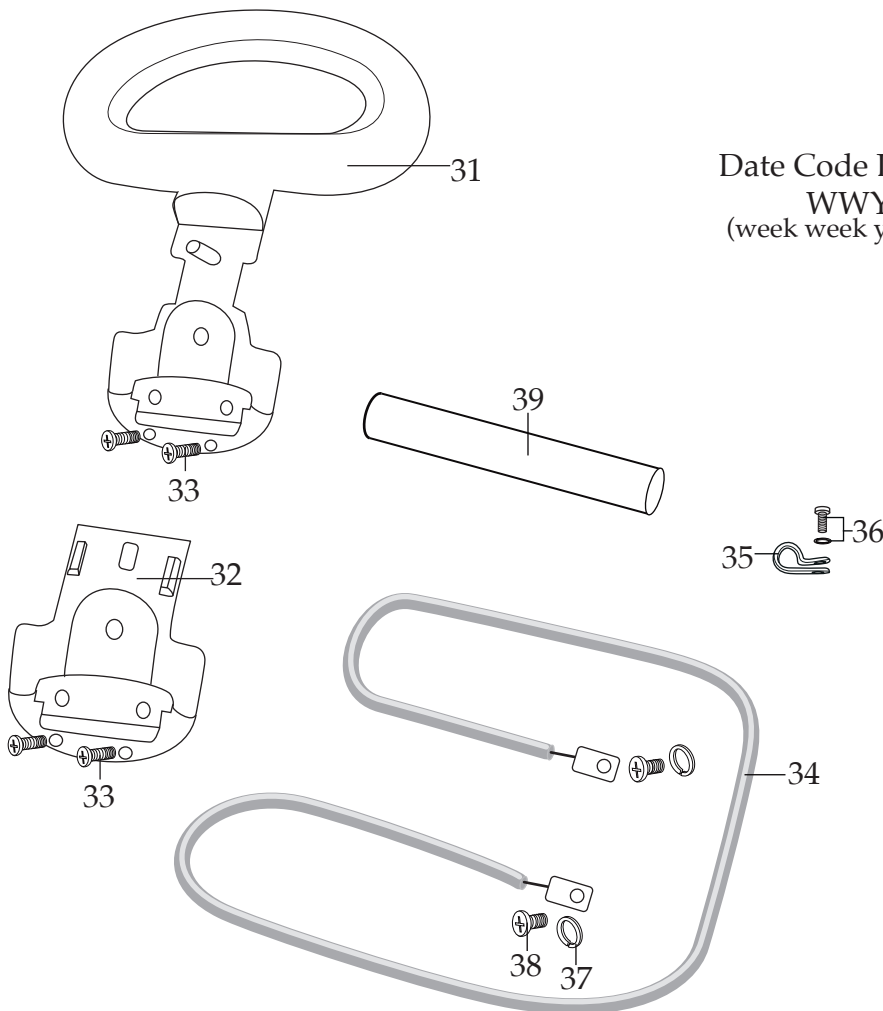
WBW300XCE

Waring Factory Service Center
314 Ella T. Grasso Ave.
Torrington, CT 06790
Tele. 1-800-269-6640

COMMERCIAL
Fax 860-496-9017
www.waringcommercialproducts.com

Illustration#	Part#	Description
1a	037497	Bubble Top Plate
1b	037509	Bubble Bottom Plate
2	037357	Screw (1 top plate - 1 bottom plate)
3	037356	Screw (5 top plate - 5 bottom plate)
4	037493	Screw (10 top inner plate - 10 bottom inner plate)
5	032352	Knob
6	035321	Toggle Switch Boot
7	016236	Hex Nut
8	037931	Locking Ring
9	035316	Darkness Control Board (short tape)
10	032359	Screw (3 required)
11	036241	Connector Pole
12	012409	Small Crimp Connector (5 required)
	019123	Large Crimp Connector
13	013731	Wire Tie (7 required)
14	037927	Toggle Switch with Leads
15	032359	Screw (4 required)
16	037930	PCB Board
17	030638	Power Board Shield
18	037933	Cord Set
19	035298	Ground Screw (2 required)
20	032751	Ground Spring Washer (2 required)
21	032371	Cord Plate
22	035476	Strain Relief
23	037926	Green/Yellow Ground Lead Assembly
24	037928	Power Bulb with Lead Assembly
25	037929	Ready Bulb with Lead Assembly
26	032351	Bottom Plate
27	032353	Foot (4 required)
28	032354	Foot Washer (4 required)
29	032355	Screw (4 required)

Illustration#	Part#	Description
30	032750	Bottom Plate Screw (4 required)
31	037488	Top Handle
32	037489	Bottom Handle
33	037493	Screw (2 top handle - 2 bottom handle)
34	037932	Heating Element (1 top - 1 bottom)
35	037503	Clamp (3 top heating element - 3 bottom heating element)
36	032359 037504	Screw (3 top clamps - 3 bottom clamps) Spring Washer (3 top clamps - 3 bottom clamps)
37	032751	Spring Washer (2 top heating element - 2 bottom heating element)
38	037505	Screw (2 top heating element - 2 bottom heating element)
39	037506	Insulated Sleeve (2 top heating element - 2 bottom heating element)



Date Code Location →
 WWYY
 (week week year year)

